

## E6 Hinge

Position control · Adjustable torque

### Features

- Hold doors open, in position
- User-adjusted holding torque

### Material

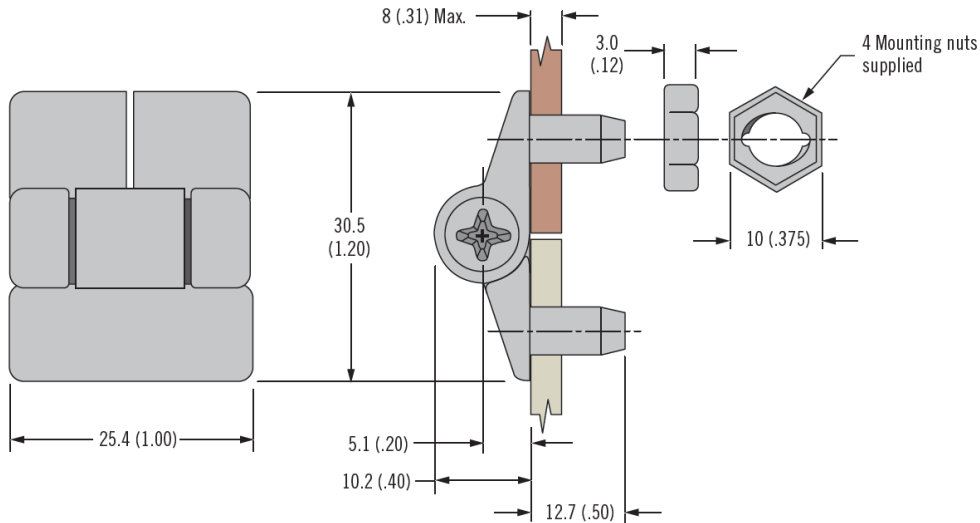
- Acetal, nylon
- Mounting hardware: Steel, zinc plated

### Notes

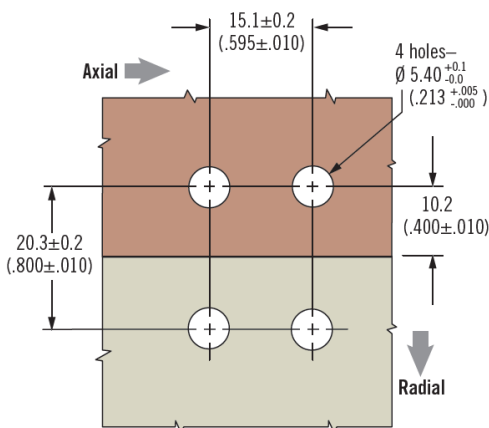
- Packaging: One hinge and four mounting nuts per bag

### Product Performance

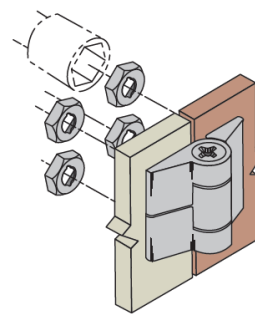
- Radial load:
  - Average ultimate load: 1,150 N
- Axial load:
  - Average ultimate load: 950 N
- Maximum prevailing torque of hinge: 0.25 N.m
- Operating temperature range: -5 °C to 65 °C



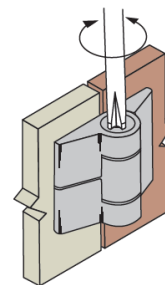
### 1. Prepare door and frame



### 2. Mount



### 3. Adjust torque



Color	Part Number
Black	E6-10-101-20
White	E6-10-101-30